
GREENWORKS

COMMERCIAL

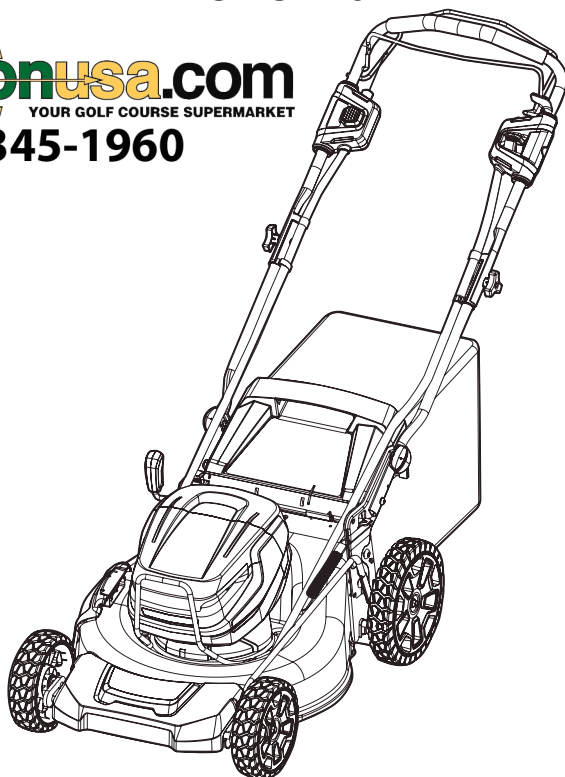
21" 82 V Cordless Self-Propelled Mower
GMS 210

SINCE 1979

precisionusa.com

YOUR GOLF COURSE SUPERMARKET

800-345-1960



Owner's Manual

TOLL-FREE HELPLINE: 1 (855) 470-4267

www.greenworkscommercial.com

⚠ Read all safety rules and instructions carefully before operating this tool.

CONTENTS

| | |
|---|----|
| Contents | 2 |
| Product Specifications | 2 |
| Important Safety Instructions | 3 |
| Symbols | 7 |
| Know Your Lawn Mower | 9 |
| Assembly Instruction | 10 |
| Operation Instruction | 18 |
| Maintenance | 24 |
| Environmentally Safe Battery Disposal | 28 |
| Troubleshooting | 29 |
| Warranty | 30 |
| Exploded View | 32 |
| Parts List | 33 |

PRODUCT SPECIFICATIONS

21" 82 V CORDLESS SELF-PROPELLED MOWER

| | |
|-------------------------------------|---|
| Battery type | 82 V Lithium-ion |
| No-load speed | 2800 RPM |
| Self propelled speed | 1.6-4.8 fps (0.5-1.5 m/s) |
| Deck size | 21" (53.3 cm) |
| Height adjustments | 1 3/8 - 3 3/4" (3.5 - 9.5 cm) |
| Functions | 3-in-1: Mulch, side discharge or rear bag |
| Unit weight (without battery) | 32.7 Kg |



IMPORTANT SAFETY INSTRUCTIONS

READ ALL INSTRUCTIONS

⚠ W A R N I N G

This mower is capable of amputating hands and feet and throwing objects. Failure to observe the following safety instructions could result in serious injury or death.

⚠ W A R N I N G

When using electric lawn mowers, basic safety precautions should always be followed to reduce the risk of fire, electric shock, and personal injury, including the following:

1. GENERAL OPERATION

- **When servicing use only identical replacement parts.**
 - **Avoid Dangerous Environment** – Don't use lawn mowers in damp or wet locations
 - **Don't Use In Rain**
 - **Keep Children Away** – All visitors should be kept a safe distance from work area.
 - **Dress properly.** Do not wear loose clothing or jewelry that can get caught in moving parts. The wearing of protective gloves and safety footwear is recommended.
 - **Use Safety Glasses** – Always use face or dust mask if operation is dusty.
 - **Use Right Appliance** – Do not use lawn mower for any job except that for which it is intended.
 - **Don't Force Lawn Mower** – It will do the job better and safer at the rate for which it was designed.
 - **Don't Overreach** – Keep proper footing and balance at all times
 - **Stay Alert** – Do not operate the mower when you are tired. Pay attention to what you are doing. Use common sense.
 - **Store Idle Lawn Mower Indoors** – When not in use, lawn mower should be stored in an indoor dry and locked-up place – out of reach of children.
 - **Maintain Lawn Mower With Care** – Keep cutting edges sharp and clean for best and safest performance.
 - **Follow instructions for lubricating and changing accessories.**
 - **Inspect lawn mower cord periodically and if damaged, have it repaired by an authorized service facility.**
 - **Keep handles dry, clean, and free from oil and grease.**
 - **Keep safety devices (guards, shields, switches etc.) in place and working.**
 - **Keep blades sharp.**
 - **Keep hands and feet away from cutting area.**
 - **Objects struck by the lawn mower blade can cause severe injuries to persons.** The lawn should always be carefully examined and cleared of all objects prior to each mowing.
-

IMPORTANT SAFETY INSTRUCTIONS

- **If lawn mower strikes a foreign object, follow these steps:**
 - i) Stop lawn mower. Release the switch.
 - ii) Remove battery.
 - iii) Inspect for damage.
 - iv) Repair any damage before restarting and operating the lawn mower.
- **Use identical replacement blades only.**
- **Do not charge lawn mower in rain, or in wet locations.**
- **Remove or disconnect battery before servicing, cleaning, or removing material from the lawn mower.**
- **Use only with Greenworks batteries: GL 300/GL 600**
- **Use only with Greenworks chargers: GC 420/GC 460**
- **Do not dispose of the battery in a fire.** The cell may explode. Check with local codes for possible special disposal instructions.
- **Do not open or mutilate the battery.** Released electrolyte is corrosive and may cause damage to the eyes or skin. It may be toxic if swallowed.
- **Exercise care in handling batteries in order not to short the battery with conducting materials such as rings, bracelets, and keys.** The battery or conductor may overheat and cause burns.
- **Read, understand, and follow all instructions on the machine and in the manual(s) before starting.**
- **Only allow responsible adults who are familiar with the instructions to operate this machine.**
- **Clear the area of objects such as rocks, wire, toys, etc., which could be thrown by the blade.** Stay behind the handle when the engine (motor) is running.
- **Be sure the area is clear of bystanders before operating.** Stop machine if anyone enters the area.
- **Do not operate machine barefooted or while wearing sandals.** Always wear substantial footwear.
- **Do not pull machine backward unless absolutely necessary.** Always look down and behind before and while moving backward
- **Never direct discharged material toward anyone.** Avoid discharging material against a wall or obstruction. Material may ricochet back toward the operator. Stop the blade when crossing gravel surfaces.
- **Do not operate machine without the entire grass catcher, discharge guard, rear guard, or other safety protective devices in place and working.**
- **Never leave a running machine unattended.**
- **Stop the motor and wait until the blade comes to a complete stop before removing the grass catcher or unclogging the chute.**
- **Operate machine only in daylight or good artificial light.**

IMPORTANT SAFETY INSTRUCTIONS

- **Do not operate machine while under the influence of alcohol or drugs.**
- **Never operate mower in wet grass.** Always be sure of your footing; walk, never run.
- **Disengage the drive system, if so equipped, before starting the motor.**
- **If the machine should start to vibrate abnormally, stop the motor and check for the cause immediately.** Vibration is generally a warning of trouble.
- **Always wear eye protection when operating machine.**
- **See manufacturer's instructions for proper operation and installation of accessories.** Only use accessories approved by the manufacturer.

2. SLOPE OPERATION

- **Slopes are a major factor related to slip and fall accidents, which can result in severe injury.** Operation on all slopes requires extra caution. If you feel uneasy on a slope, do not mow it.
- **Mow across the face of slopes; never up and down.** Exercise extreme caution when changing direction on slopes.
- **Watch for holes, ruts, bumps, rocks, or other hidden objects.** Uneven terrain could cause a slip and fall accident. Tall grass can hide obstacles.
- **Do not mow on wet grass or excessively steep slopes.** Poor footing could cause a slip and fall accident.

3. CHILDREN

Tragic accidents can occur if the operator is not alert to the presence of children. Children are often attracted to the machine and the mowing activity. Never assume that children will remain where you last saw them.

- **Keep children out of the mowing area and under the watchful care of a responsible adult.**
- **Stay alert, and turn the mower off if a child or any other person enters the mowing area.**
- **Never allow children to operate the machine.**
- **Use extreme care when approaching blind corners, doorways, shrubs, trees, or other objects that may obscure your view of a child who may run into the path of the mower.**

4. SERVICE

- **Keep all nuts, bolts, and screws tight in order to be sure that the equipment is in safe working condition.**
- **Never remove or tamper with safety devices.** Check their proper operation regularly. Never do anything to interfere with the intended function of a safety device or to reduce the protection provided by a safety device.
- **Keep machine free of grass, leaves, or other debris build up.** Allow machine to cool before storing.
- **After striking a foreign object, stop the motor.** Thoroughly inspect the mower for any damage. Repair any damage before operating the mower.
- **Never make any adjustments or repairs with the motor running.**

IMPORTANT SAFETY INSTRUCTIONS

- Always remove battery pack from mowers before adjusting, cleaning, or repairing.
- Check grass catcher components and the discharge guard frequently and replace with manufacturer's recommended parts, when necessary.
- Mower blades are sharp, and can cut. Wrap the blades or wear gloves, and use extra caution when servicing.
- Maintain or replace safety and instruction labels, as necessary.

⚠ WARNING (PROPOSITION 65)

Using this product will expose you to a chemical known to the State of California to cause cancer. Using this product will expose you to a chemical known to the State of California to cause birth defects or other reproductive harm.

Some dust created by power sanding, sawing, grinding, drilling, and other construction activities contains chemicals known to cause cancer, birth defects or other reproductive harm. Some examples of these chemicals are:











- Lead from lead-based paints
- Crystalline silica from bricks and cement and other masonry products, and
- Arsenic and chromium from chemically treated lumber.

Your risk of exposure to these chemicals varies depending on how often you do this type of work. To reduce your exposure to these chemicals, work in a well-ventilated area, and work with approved safety equipment, such as dust masks that are specially designed to filter out microscopic particles.

SAVE THESE INSTRUCTIONS




SYMBOLS

Some of the following symbols may be used on this product. Please study them and learn their meaning. Proper interpretation of these symbols will allow you to operate the product better and safer.

| SYMBOL | NAME | DESIGNATION/EXPLANATION |
|---|----------------------------|---|
| V | Volts | Voltage |
| A | Amperes | Current |
| Hz | Hertz | Frequency (cycles per second) |
| W | Watts | Power |
| min | Minutes | Time |
| — | Direct Current | Type or a characteristic of current |
| n_0 | No Load Speed | Rational speed, at no load |
|  | Class II Construction | Double-insulated construction |
| /min | Per Minute | Revolutions, strokes, surface speed, orbits etc., per minute |
|  | Safety Alert | Indicates a potential personal injury hazard. |
|  | Wet Conditions Alert | Do not expose to rain or use in damp locations |
|  | Read The Operator's Manual | To reduce the risk of injury user must read and understand operator's manual before using this product. |
|  | Eye Protection | Always wear safety glasses with side shields that are marked to comply with ANSI Z87.1. |
|  | Keep Hands and Feet Away | Keep hands and feet away from blade and cutting area. |
|  | No Reach | Do not reach hands or feet under mower deck. |
|  | No Slope | Do not operate on inclines greater than 15°. Mow across the face of slopes, never up and down. |
|  | Keep Bystanders Away | Keep all bystanders at least 100 ft. away. |
|  | Ricochet | Pay attention that bystanders are not injured through foreign objects thrown from the mower. |

SYMBOLS

The following signal words and meanings are intended to explain the levels of risk associated with this product.

| SYMBOL | SIGNAL | MEANING |
|---|----------------|--|
|  | DANGER | Indicates an imminently hazardous situation, which, if not avoided, will result in death or serious injury. |
|  | WARNING | Indicates a potentially hazardous situation, which, if not avoided, could result in death or serious injury. |
|  | CAUTION | Indicates a potentially hazardous situation, which, if not avoided, may result in minor or moderate injury. |
| | CAUTION | (Without Safety Alert Symbol) Indicates a situation that may result in property damage. |

SERVICE

Servicing requires extreme care and knowledge and should be performed only by a qualified service technician. For service we suggest you return the product to your nearest **AUTHORIZED SERVICE CENTER** for repair. When servicing, use only identical replacement parts.

WARNING

To avoid serious personal injury, do not attempt to use this product until you have read this Owner's Manual thoroughly and understand it completely. If you do not understand the warnings and instructions in this Owner's Manual, do not use this product. Call the Toll-free Helpline **1 (855) 470-4267** for assistance.

WARNING



The operation of any power tool can result in foreign objects being thrown into your eyes, which can result in severe eye damage. Before beginning power tool operation, always wear safety goggles or safety glasses with side shields and, when needed, a full face shield. We recommend Wide Vision Safety Mask for use over eyeglasses or standard safety glasses with side shields. Always use eye protection which is marked to comply with ANSI Z87.1.

SAVE THESE INSTRUCTIONS

KNOW YOUR LAWN MOWER

Read this operator's manual and safety rules before operating your lawn mower. Compare the illustration in Figure 1 to your lawn mower in order to familiarize yourself with the location of various controls and adjustments. Save this manual for future reference.

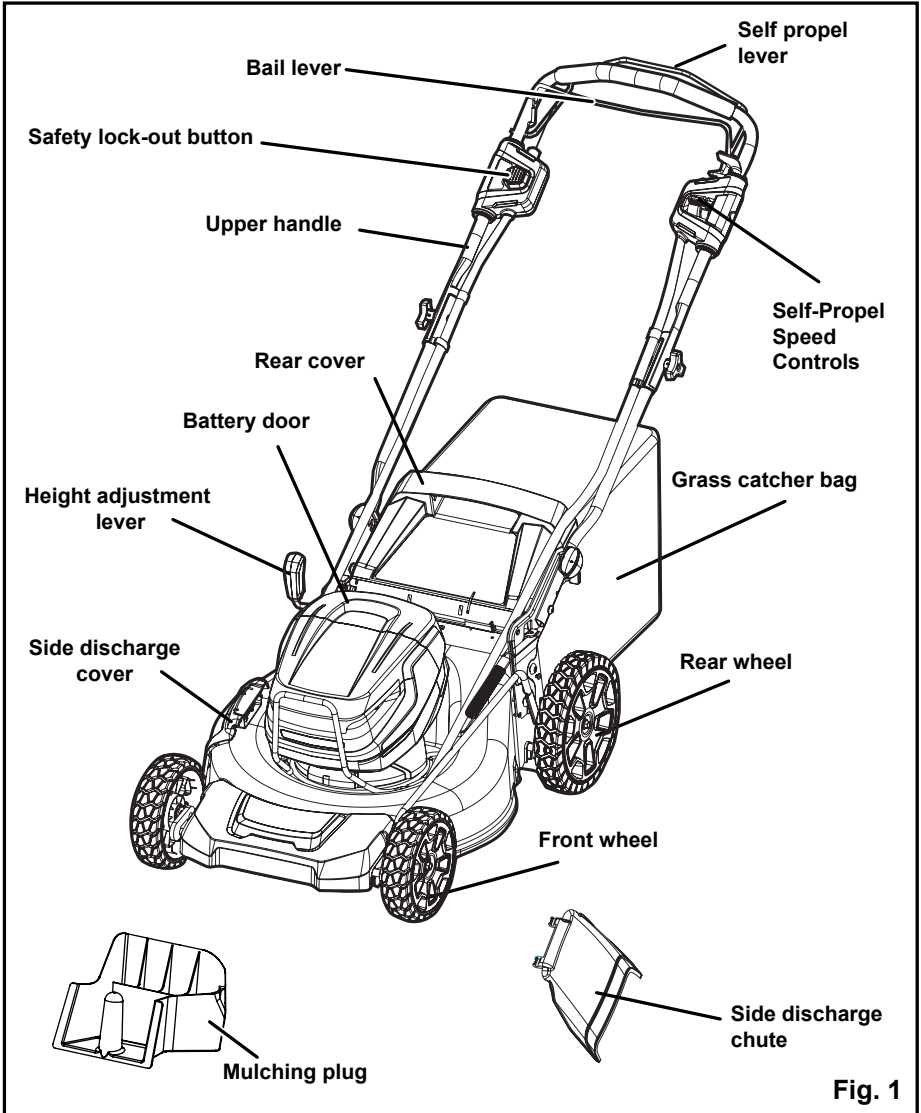
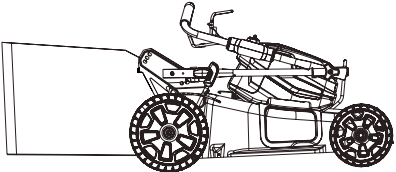
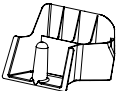
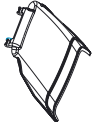
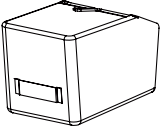





Fig. 1

ASSEMBLY INSTRUCTION

PACKING LIST

| PART NAME | FIGURE | PART NO. |
|----------------------|---|----------|
| Lawn Mower |  | 1 |
| Mulching Plug |  | 1 |
| Side discharge chute |  | 1 |
| Grass Catcher Bag |  | 1 |
| Handle Knob |  | 2 |
| Handle Bolt |  | 2 |
| Owner's Manual |  | 1 |

ASSEMBLY INSTRUCTION

UNPACKING

- Carefully remove the product and any accessories from the box. Make sure that all items listed in the packing list are included.
 - Inspect the product carefully to make sure no breakage or damage occurred during shipping.
 - Do not discard the packing material until you have carefully inspected and operated the product.
 - If any parts are damaged or missing, please call (1 (855) 470-4267) for assistance.
-

▲ W A R N I N G

If any parts are damaged or missing do not operate this product until the parts are replaced. Using a product with damaged or missing parts could result in serious personal injury.

▲ W A R N I N G

Do not attempt to modify this product or create accessories not recommended for use with this product. Any such alteration or modification is misuse and could result in a hazardous condition leading to possible serious personal injury.

▲ W A R N I N G

Do not insert battery until assembly is complete and you are ready to mow. Failure to comply could result in accidental starting and possible serious personal injury.

▲ W A R N I N G

To prevent accidental starting that could cause serious personal injury, always remove the battery pack from the product when assembling parts.

▲ W A R N I N G

Never operate the mower without the proper safety devices in place and working. Never operate the mower with damaged safety devices. Operation of this product with damaged or missing parts could result in serious personal injury.

ASSEMBLY INSTRUCTION

UNFOLDING AND ADJUSTING LOWER HANDLE (See Figure 2)

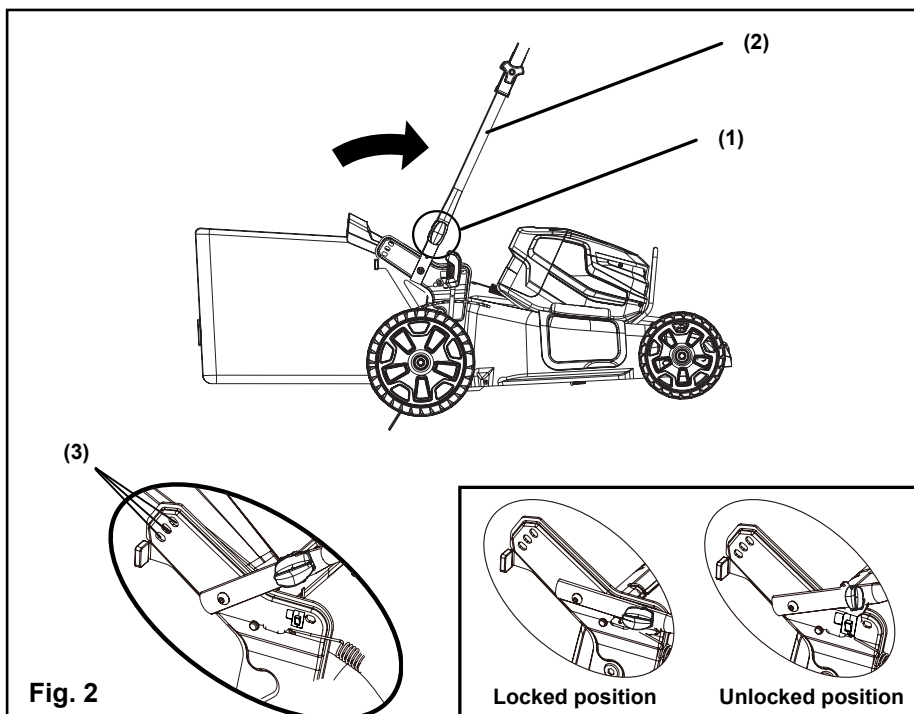
⚠ WARNING

Folding or unfolding the handle improperly can damage the cables, causing an unsafe operating condition.

- Do not damage the cables when folding or unfolding the handle.
- If a cable is damaged, contact an Authorized Service Dealer.

- Pull and rotate the handle knobs (1) 90° on both sides to loosen the lower handles (2) on both sides.
- Move the lower handles to the operating position. You may raise or lower the handle to a position comfortable for you. There are 3 positions (3) for you to choose. Release the handle knobs to lock the lower handle into position.

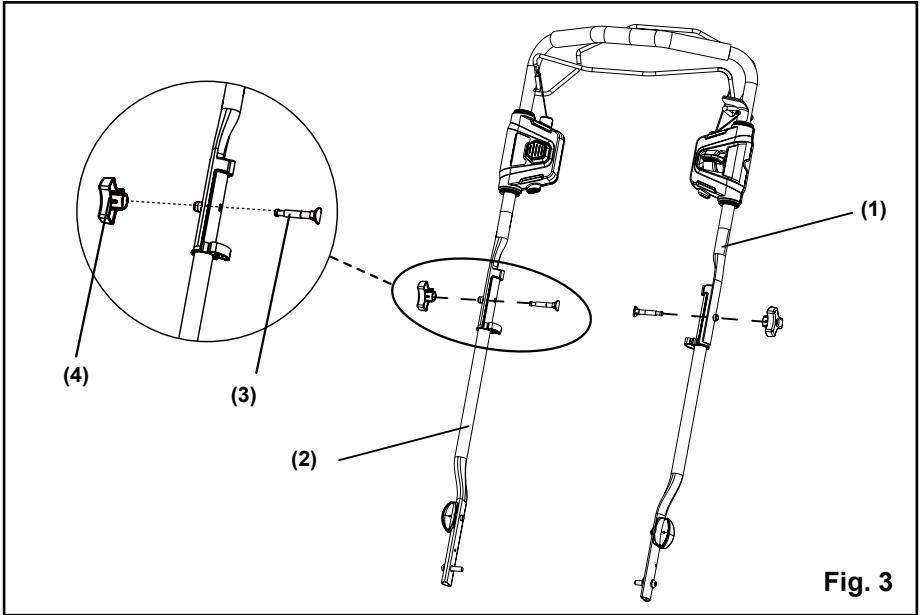
Note: Ensure both sides are set at the same position for proper assembly.



ASSEMBLY INSTRUCTION

INSTALLING THE UPPER HANDLE (See Figure 3)

- Align the mounting holes on the upper handle (1) and the lower handle (2). Insert the carriage bolts (3) and use the knobs (4) to tighten them. Repeat the operation on the other side.



ASSEMBLY INSTRUCTION

INSTALLING THE GRASS CATCHER BAG (See Figure 4)

- Lift the rear discharge door (1).
- Lift the grass catcher by its handle (2) and place under the rear discharge door so that the hooks (3) on the grass catcher (4) are seated on the door rod (5).
- Release the rear discharge door (1). When installed correctly, the hooks on the grass catcher will extend through the openings on the rear discharge door.

NOTE: When using the grass catcher, do not install either the side discharge deflector or the mulching plug.

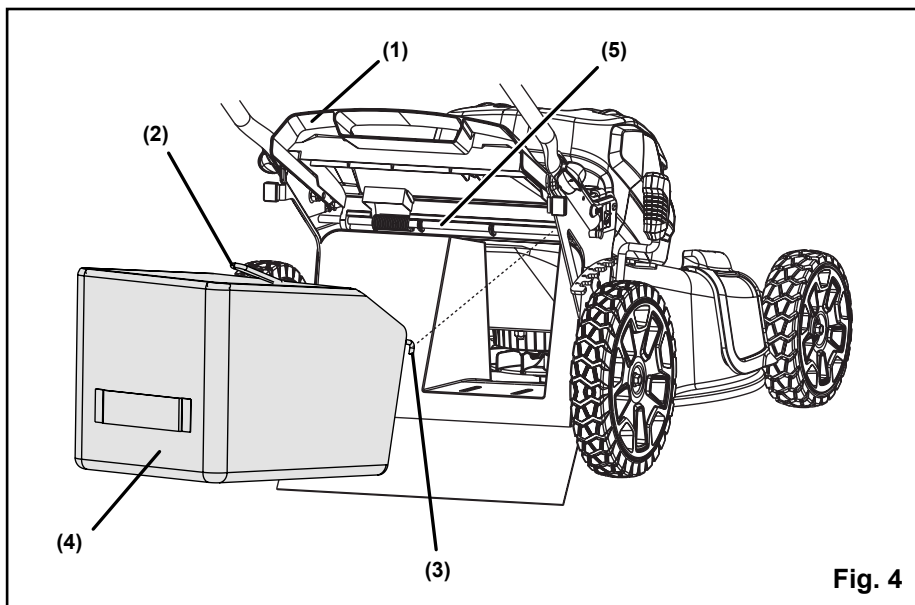
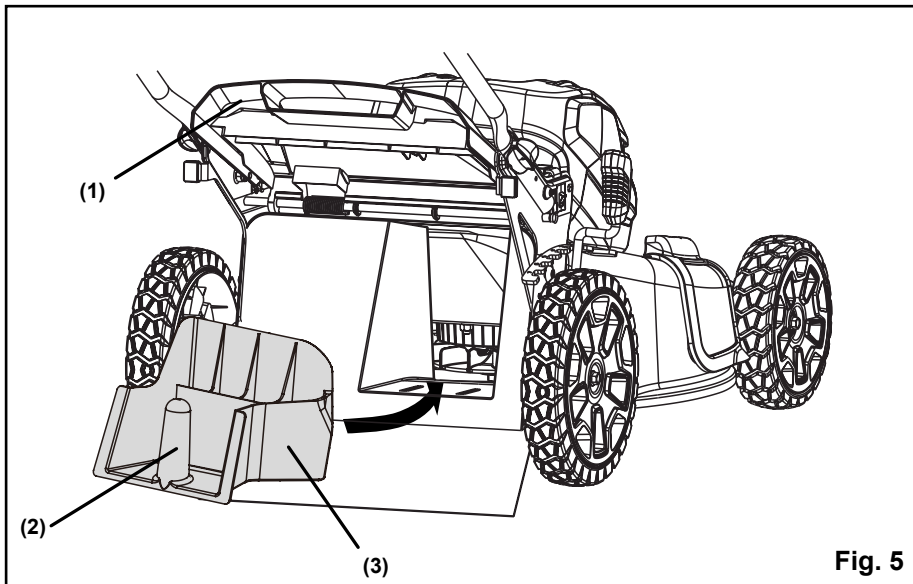


Fig. 4

ASSEMBLY INSTRUCTION

INSTALLING / REMOVING THE MULCHING PLUG (See Figure 5)

- To remove the mulching plug, lift the rear discharge door (1).
- Grasp the handle (2) of the mulching plug. Using this handle, lift and pull the mulch plug out.
- The mulching plug (3) is inserted at an angle, so it requires some force to remove it.
- The mulching plug must be removed in order to install the grass catcher bag.
- The mulching plug must be re-installed when the grass catcher bag is removed.



ASSEMBLY INSTRUCTION

INSTALLING SIDE DISCHARGE CHUTE (See Figure 6)

- Lift the side discharge cover (1).
- Align the grooves (2) on the side discharge chute (3) with the pins (4) on the underside of the discharge cover.
- Lower the discharge chute until the hooks on the mower deck are secured in the openings of the discharge chute.
- Release the side discharge cover.

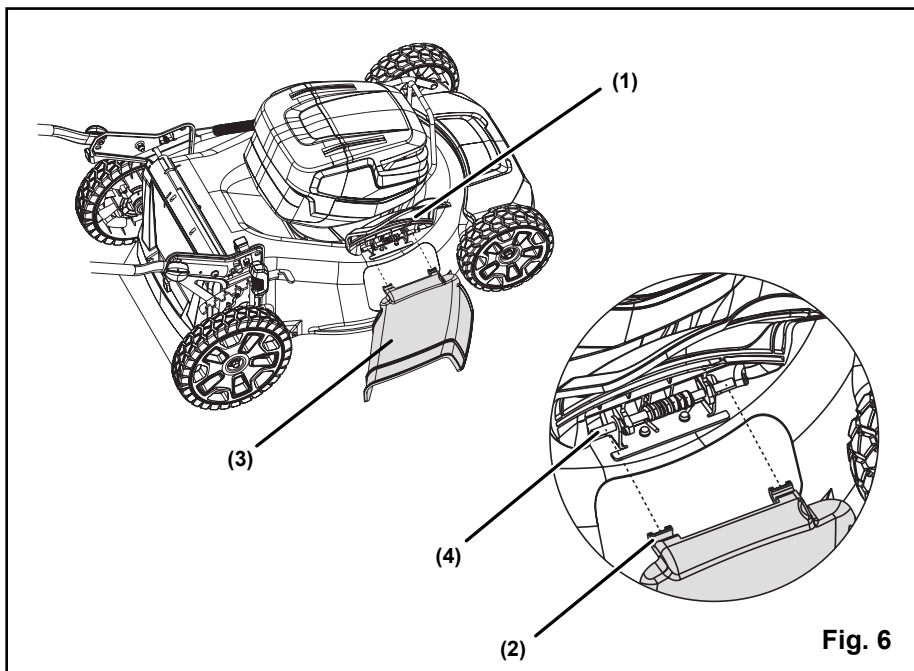
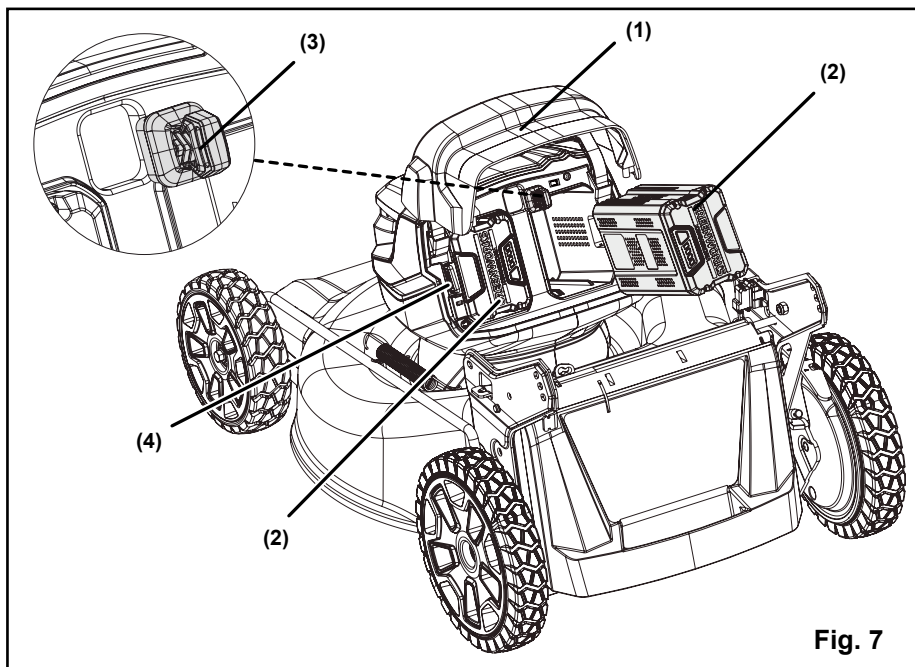


Fig. 6

ASSEMBLY INSTRUCTION

TO INSTALL THE BATTERY PACK (See Figure 7)

- Lift and hold up the battery door (1).
- Align the battery (2) with the mower's battery port.
- Insert the battery into the left battery compartment to start the mower. This mower is equipped with a battery storage compartment which offers a convenient place for storing your battery when not in use, or to store an extra battery pack to extend your run-time.
- Make sure the battery release button (4) snaps in place and that battery is fully seated and secure in the mower before beginning operation.
- Insert the safety key (3). If the machine is not going to be used immediately, do not insert the safety key.
- Close the door.



TO REMOVE THE BATTERY PACK (See Figure 7)

- Release the bail lever to stop the mower.
- Open the battery door.
- Remove the safety key.
- Press the battery release button (4). This will cause the battery to raise out of the tool slightly.
- Remove the battery from the mower.

OPERATION INSTRUCTION

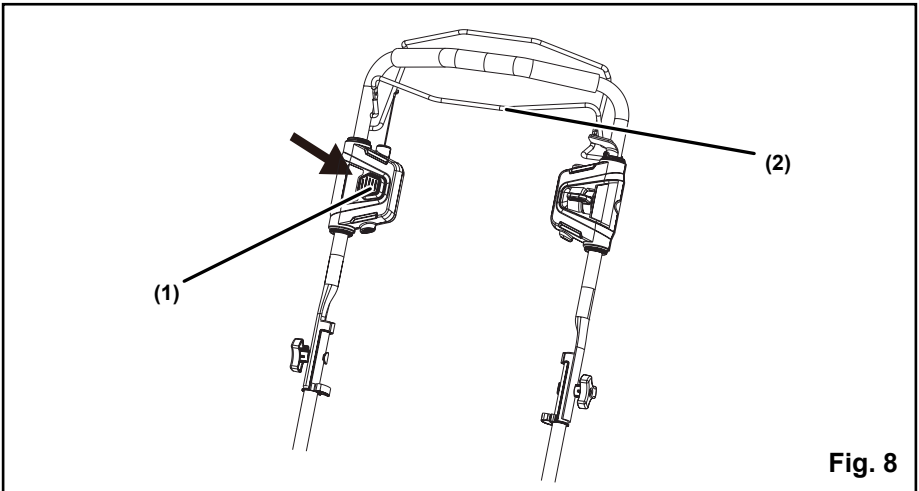
STARTING/STOPPING THE MOWER (See Figure 8)

To start the motor:

- Open the battery door.
- Install the battery. Insert the safety key.
- Press and hold the safety lock-out button (1).
- Pull the bail lever (2) upward to the handle to start the mower and release the button.

To stop the motor:

- Release the bail lever.



Soft-Start

This LI-ION mower is equipped with a “soft-start” feature. When initially starting up, the mower will take approx. 3 seconds to get up to full speed. If the mower does not initially start: Remove the battery and check under the mower deck to ensure there is nothing obstructing the blade and that the blade can spin freely by hand. Even a small amount of grass blocking the mower blade will prevent the mower blade from accelerating and engaging.

CAUTION

Do not attempt to override the operation of the safety lock-out button or bail lever.

WARNING

The operation of any mower can result in foreign objects being thrown into the eyes, which can cause severe eye damage. Always wear safety glasses while operating the mower and while performing any adjustments or repairs.

INSPECT THE CUTTING AREA. Remove all stones, sticks, wire, bones, and other debris that might be thrown by the rotating blades.

OPERATION INSTRUCTION

SELF-PROPELLED MOWING (See Figure 9)

To engage the self-propelled feature:

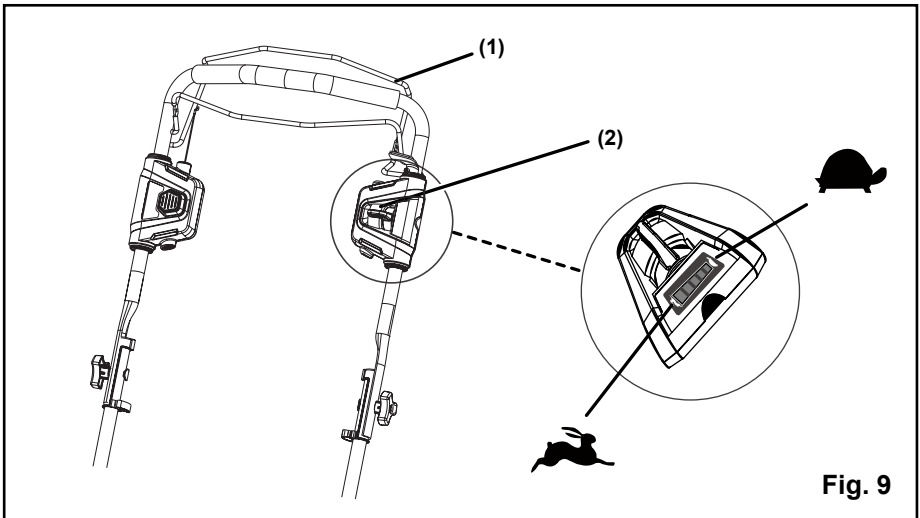
- Open the battery door.
- Insert the battery. Insert the safety key.
- Pull the self propel lever (1) upward to meet the handle.

To disengage the self-propelled feature:

- Release the self propel lever.

To adjust the speed of self-propelled feature:

- Push the variable speed control lever (2) towards the Rabbit Symbol to increase speed.
- Pull the variable speed control lever (2) towards the Turtle Symbol to decrease speed.



OPERATION INSTRUCTION

CUTTING HEIGHT ADJUSTMENT (See Figure 10)

When shipped, the wheels on the mower are set to a low-cutting position. Before using the mower for the first time, raise the cutting position to the height best suited for your lawn. The average lawn should be between 1 1/2" to 2" (3.8 to 5 cm) during cool months and between 2" and 3 1/2" (5 cm to 8.3 cm) during hot months.

To adjust the blade height:

- To raise the blade height, grasp the height adjustment lever (1) and move it toward the back of the mower.
- To lower the blade height, grasp the height adjustment lever (1) and move it toward the front of the mower.

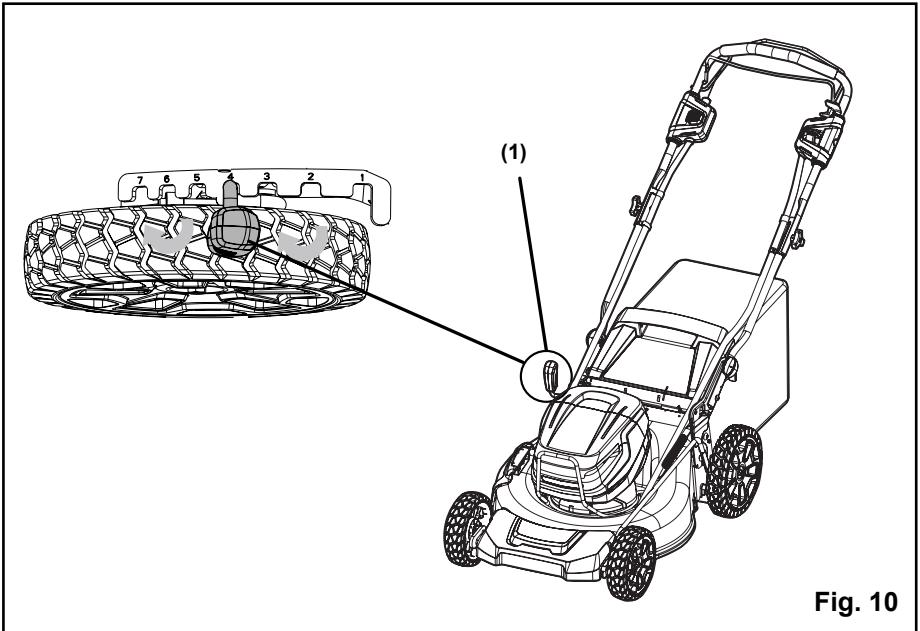


Fig. 10

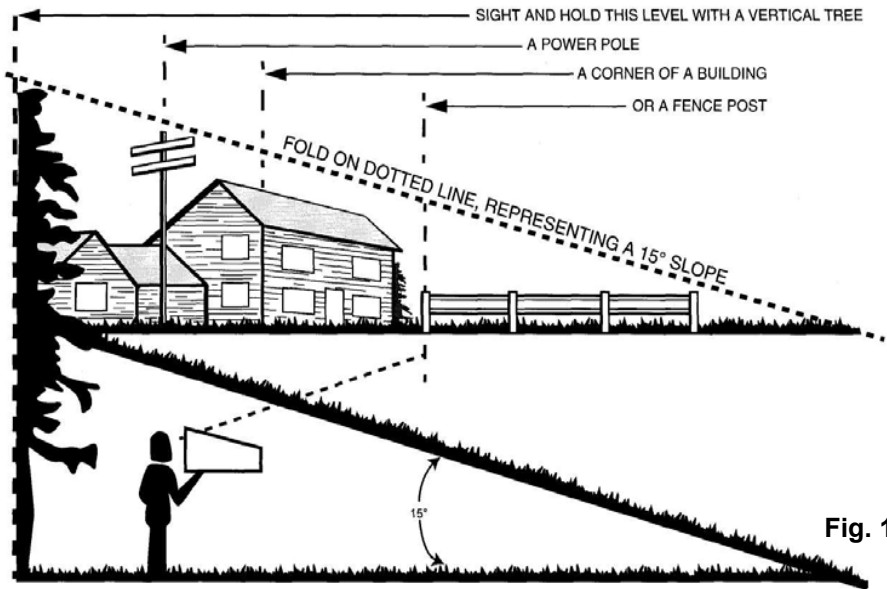
OPERATION INSTRUCTION

SLOPE GAUGE (See Figure 11)

▲ WARNING

Slopes are a major factor related to accidents involving slips and falls, which can result in severe injury. Operating the mower on a slope requires extra caution. If you feel uneasy on a slope, do not mow it. For your safety, use the slope gauge that is included as part of this manual to measure slopes before operating this unit on a sloped or hilly area.

- Mow across the face of a slope, and never up and down. Exercise extreme caution when changing direction on a slope.
- Watch for holes, ruts, rocks, hidden objects, or bumps that may cause a slip or a trip. Tall grass can hide obstacles.
- Always be sure of your footing. If you feel like you are losing your balance, release the blade/motor control handle immediately. The blade will stop rotating within 3 seconds.
- Do not mow near drop-offs, ditches, or embankments, because you could lose your footing or balance.
- Do not mow a slope that has an angle of greater than 15°, as determined using the slope gauge.
- Do not mow wet or damp grass. Unstable footing can cause slipping.



▲ WARNING

Do not mow a slope that has an angle of greater than 15° (a rise of approximately 2 1/2 feet [0.75 m] every 10 feet [3 m]). Mow across the face of a slope, and never up and down.

OPERATION INSTRUCTION

MOWING TIPS

NOTE: A sharp blade will greatly enhance the performance of the mower, especially when cutting high grass. Be sure to check the blade and to sharpen it at least once per year, as described in the Maintenance section.

- Verify that the lawn is free of stones, sticks, wires, and other objects that could damage the blades or the motor. These objects could be accidentally thrown by the mower in any direction, and could cause serious personal injury to the operator and to others. In order to prevent electric shock, do not operate the mower in damp or wet conditions.
- Do not mow in circles. Travel back and forth across the lawn.
- When cutting thick grass, reduce walking speed in order to allow for a more effective cut and a proper discharge of the clippings.
- For a healthy lawn, always cut off one-third or less of the total length of the grass. The average lawn should be approximately 1 1/2 to 2" (3.8 to 5 cm) long during cool months, and between 2" to 3 1/4" (5 cm to 8.3 cm) long during hot months. If there is growth, the lawn should be cut in the fall.

MULCHING TIPS

NOTE: INSPECT THE AREA WHERE THE MOWER IS TO BE USED, AND REMOVE ALL STONES, STICKS, WIRE, BONES, AND OTHER DEBRIS THAT MIGHT BE THROWN BY THE ROTATING BLADE.

- Release the bail lever to turn the mower OFF when crossing any graveled area (stones can be thrown by the blade).
- Set mower to the highest cutting height when mowing on uneven ground or in tall weeds.
- For effective mulching, do not cut wet grass, because it tends to stick to the underside of the deck, preventing proper mulching of grass clippings. New or thick grass may require a narrower cut. The ground speed should be adjusted to the condition of the lawn. If mowing has been delayed and the grass has been allowed to grow longer than 4" (10 cm), mow the lawn twice in order to reduce the grass height to a maximum of 3 1/4" (8.3 cm).
- Walk at a steady pace. Overlap the cutting rows. Do not let the grass get too tall. If the grass gets too long, start at the highest cutting position and work down to the desired cutting height.

▲ W A R N I N G

If you strike a foreign object, stop the motor and remove the battery. Thoroughly inspect the mower for any damage. Repair any damage before operating the mower. Excessive vibration of the mower during operation is an indication of damage. Thoroughly inspect the mower and repair any damage before operating the mower.

OPERATION INSTRUCTION

EMPTYING THE GRASS CATCHER BAG (See Figure 12)

- Stop mower, allow blades to completely stop, and remove the battery.
- Lift the rear discharge cover.
- Lift the grass catcher bag by its handle to remove from mower.
- Empty grass clippings.
- Lift the rear discharge cover and reinstall the grass catcher bag as described earlier in this manual.

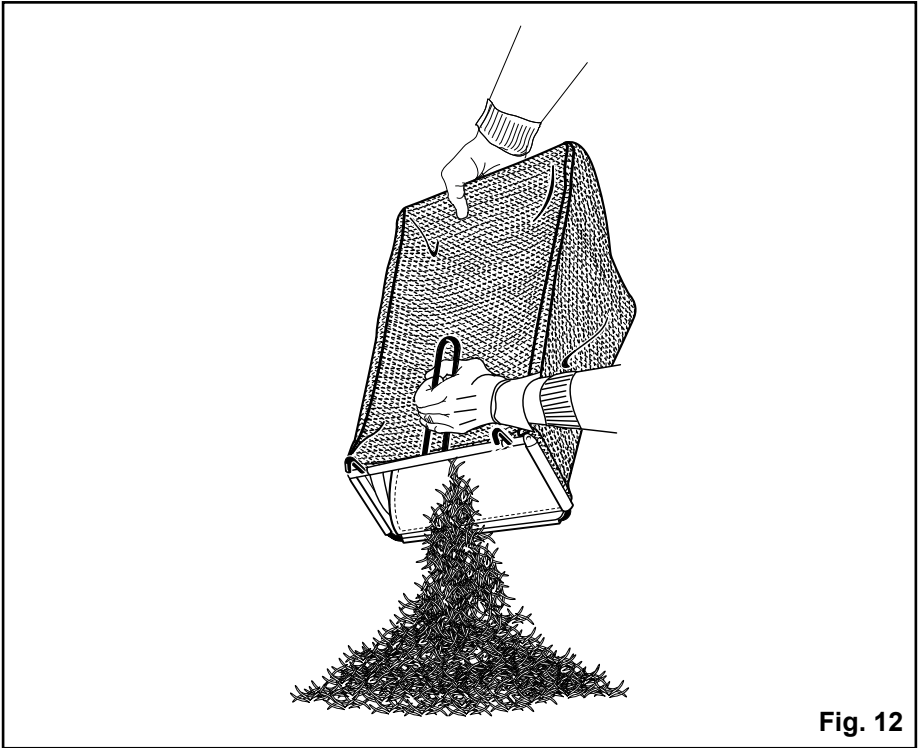


Fig. 12

MAINTENANCE

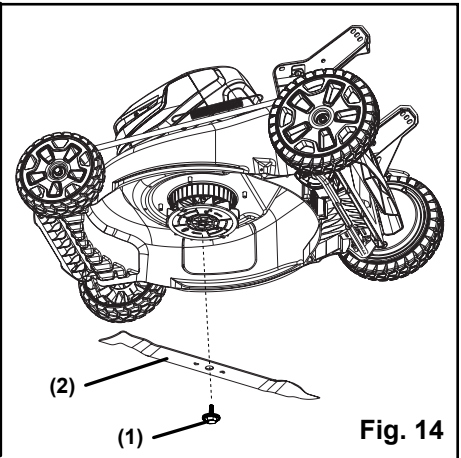
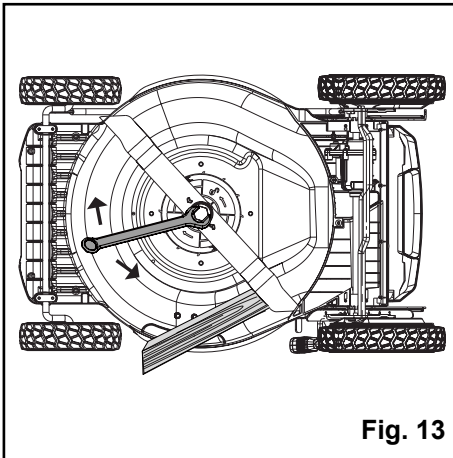
REPLACING THE CUTTING BLADE (See Figure 13-14)

▲ WARNING

Always protect your hands by wearing heavy gloves and/or wrapping the cutting edges with rags or other materials when performing any maintenance on the blades. ALWAYS remove the battery when servicing or transporting the mower.

Use only a GREENWORKS replacement blade (Item#: 333041179).

- REMOVE BATTERY.
- While wearing leather padded gloves, wedge a block of wood between the blade and the mower deck in order to prevent the blade from turning when the bolt (1) is being removed.
- Using an adjustable wrench or 27 mm socket, loosen the bolt (1) and remove the blade (2). Turn the bolt "COUNTERCLOCKWISE" to loosen it and "CLOCKWISE" to tighten it.
- Remove the bolt (1) and the blade (2).
- To re-install the blade, position the blade with the cutting edges toward the ground. Assemble the bolt as shown. Using a 27 mm socket or wrench, turn the blade nut "CLOCKWISE" in order to secure the blade.



NOTE: Be sure to replace the parts in the exact order in which they were removed. When installing the cutting blade, verify that it is installed with the curved ends pointing toward the mower deck, and not toward the ground. Refer to the schematic drawing on page 32 of this manual.

MAINTENANCE

CLEANING THE MOWER

▲ W A R N I N G

In order to reduce the risk of electric shock, do not expose the mower to water. The underside of the mower deck should be cleaned after each use, because grass clippings, leaves, dirt, and other debris will accumulate, which will cause rust and corrosion.

Remove any build-up of grass and leaves on or around the motor cover (do not use water). Occasionally wipe the mower clean with a dry cloth. If debris builds up on the underside of the mower during use, stop the motor, disconnect it from the battery, and then tilt the mower on its side, and scrape it clean using an appropriate tool.

STORING THE MOWER

The following steps should be taken in order to prepare the lawn mower for storage.

- Clean the mower as described in the previous section.
- Inspect the blade, and replace it or sharpen it, if required (refer to the Maintenance section).
- Store the mower in a dry, clean location. Do not store it next to corrosive materials, such as fertilizer or rock salt.
- Store the mower indoors, in a cool, dry place, out of the reach of children. Do not cover the lawn mower with a solid plastic sheet. Plastic coverings trap moisture around the mower, which causes rust and corrosion.
- Remove the battery and store it in a cool dry location.
- Remove the battery and store in a secure location out of the reach of children.

MAINTENANCE

VERTICAL STORAGE FUNCTION (See Figure 15)

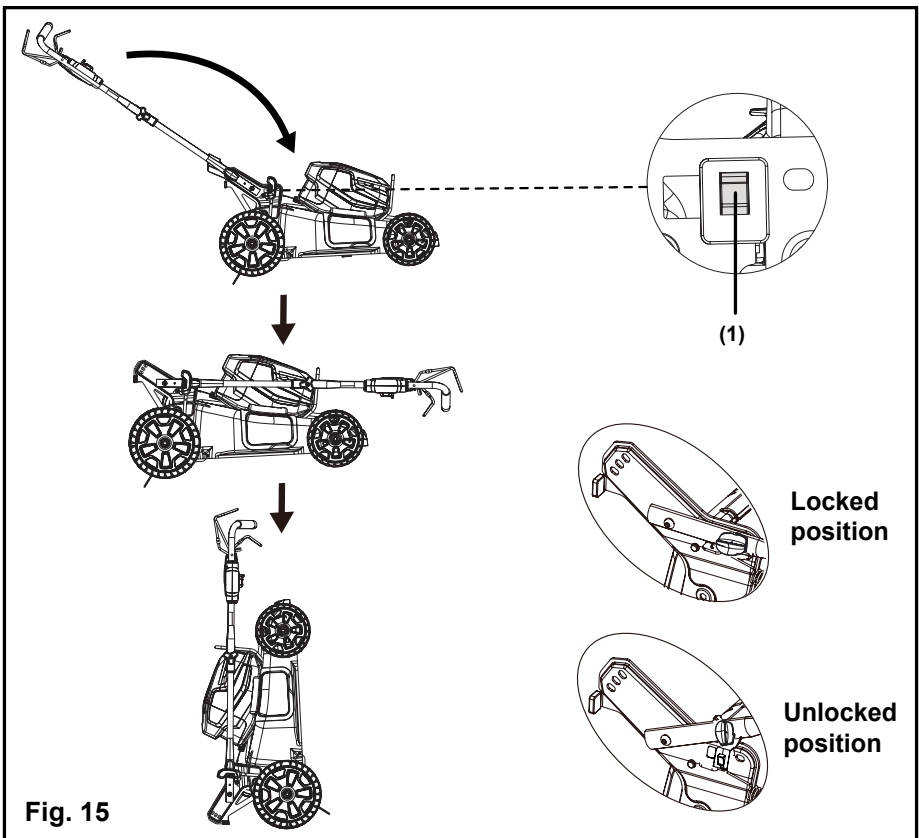
- Remove the battery from the mower.
- Remove the grass catcher bag.
- Rotate the handle knobs to the unlocked position.
- Lower the handle assembly and rotate the handle knobs to the locked position.
- Lift the mower by the front end to the vertical position.

STORAGE SWITCH:

When the handle is rotated into the fully locked storage position, the mower is equipped with a storage switch (1) that will disable the mower from running in the storage position. The storage switch (1) does not replace the need to remove the safety key and battery to prevent accidental start-up or unauthorized use.

⚠ WARNING

Always remove the battery from the mower before placing the unit in the vertical storage position.



MAINTENANCE

- When servicing the mower, use only identical replacement parts that are available from the manufacturer. In order to obtain replacement parts, call the toll-free helpline, at 1 (855) 470-4267. The use of parts that do not meet the original equipment specifications may lead to improper performance, and may compromise safety.
- Before cleaning, repairing, or inspecting; verify that the blade and all moving parts have come to a complete stop. Remove the battery when making any adjustments or when any of the four wheels must be lifted off the ground.
- Follow the instructions for lubricating and changing accessories.
- Keep the handles dry, clean, and free of oil and grease.
- In order to reduce the risk of fire, keep the motor free of grass, leaves, and debris build-up.
- Check the blade and motor mounting bolts for proper tightness frequently. Visually inspect blade for damage (e.g., bent, cracked, or worn).
- For best and safest performance, maintain the mower with care. Keep the mower blade sharp and clean. Mower blades are sharp, and can cut. Wrap the blades or wear gloves, and use extra caution when servicing.
- Keep all nuts, bolts, and screws tight in order to be sure that the equipment is in safe working condition.
- Never tamper with safety devices. Check them regularly for proper operation.
- After striking a foreign object, stop the motor. Thoroughly inspect the mower for any damage. Repair any damage before operating the mower.
- The grass catcher components, discharge cover, and trail shield are subject to wear and damage, which could expose moving parts or allow objects to be thrown. As a safety precaution, check these components frequently, and immediately replace any parts that show signs of wear, or that are cracked or broken. Use original equipment manufacturer's (OEM) parts only, as listed in this manual.
- When it is not in use, store the mower indoors in a dry area, and out of the reach of children.

▲ W A R N I N G

Always remove battery when servicing or transporting the mower.

ENVIRONMENTALLY SAFE BATTERY DISPOSAL

The following toxic and corrosive materials are in the batteries used in this Lawn Mower: **Lithium-ion, a toxic material.**



⚠ WARNING

All toxic materials must be disposed of in a specified manner to prevent contamination of the environment. Before disposing of damaged or worn out Lithium-ion battery packs, contact your local waste disposal agency, or the local Environmental Protection Agency for information and specific instructions. Take the batteries to a local recycling and/or disposal center, certified for lithium-ion disposal.

⚠ WARNING

If the battery pack cracks or breaks, with or without leaks, do not recharge or use the battery. Dispose of it and replace with a new battery pack. **DO NOT ATTEMPT TO REPAIR IT!**

To avoid injury and risk of explosion, or electric shock, and to avoid damage to the environment:

- Cover the battery's terminals with heavy-duty adhesive tape.
 - DO NOT attempt to remove or destroy any of the battery pack components.
 - DO NOT attempt to open the battery pack.
 - If a leak develops, the released electrolytes are corrosive and toxic. DO NOT get the solution in the eyes or on skin, and do not swallow it.
 - DO NOT place these batteries in your regular household trash.
 - DO NOT incinerate.
 - DO NOT place them where they will become part of any waste landfill or municipal solid waste stream.
 - Take them to a certified recycling or disposal center.
-

TROUBLESHOOTING

| PROBLEM | POSSIBLE CAUSE | SOLUTION |
|--|--|--|
| The mower does not start. | The battery is not charged. | Charge the battery. |
| | The switch is defective. | Replace the switch (call the tollfree helpline, at 1 (855) 470-4267. |
| | Grass jammed between the deck and blade. | Remove battery; check under deck for jams. |
| | The battery is not fully inserted in the mower. | Check the connection between the battery and the mower. Make sure the battery clicks into place. |
| | Battery may require service or replacement. | Call toll free helpline, at 1 (855) 470-4267 or replace battery. |
| | Safety key is not installed in the mower. | Ensure the safety key is fully installed in the mower. |
| The mower cuts the grass unevenly. | The lawn is rough or uneven. | Check the mowing area. |
| | The cutting height is not set properly. | Move the wheels to a higher setting. |
| The mower does not mulch properly. | Wet grass clippings are sticking to the underside of the deck. | Wait until the grass dries before mowing. |
| | The mulching plug is missing. | Install the mulching plug. |
| The mower is hard to push. | The grass is too tall, or the cutting height is too low. | Raise the cutting height. |
| | The rear of the grass catcher bag is dragging in thick grass. | Empty the grass clippings from the grass catcher bag. |
| The mower is excessively noisy and vibrates. | The motor shaft is bent. | Stop the motor, and inspect for damage. |
| | The blade is unbalanced. | Repair before restarting. If vibration persists, call the toll free helpline 1 (855) 470-4267. |

LIMITED WARRANTY



GREENWORKS™ hereby warrants this product, to the original purchaser with **proof of purchase**, 2 year commercial power train warranty, 2 year commercial battery warranty against defects in materials, parts or workmanship. GREENWORKS™, at its own discretion will repair or replace any and all parts found to be defective, through normal use, free of charge to the customer. This warranty is valid only for units which have been used for personal use that have not been hired or rented for industrial/commercial use, and that have been maintained in accordance with the instructions in the owners' manual supplied with the product from new.

****WARRANTY IS NOT TRANSFERABLE AND ONLY AVAILABLE TO THE ORIGINAL PURCHASER WITH ORIGINAL PURCHASE RECEIPT OR PROOF OF PURCHASE**

2 Year Limited Power Train Warranty Coverage:

- Motor
- PCB Boards
- Gear Box
- 2 years from the date of purchase (non transferable)

2 Year Limited Battery Warranty Coverage:

- Greenworks Commercial Battery Packs (GL 200, GL 250, GL 300, GL 400, GL 500, GL 900)
- 2 year from the date of purchase (non transferable)

60 Days Limited Wearable Parts Warranty Coverage:

- Bars
- Blades
- Guards
- Chains
- Bump Feed Heads
- Tines
- 60 Days from date of purchase (non transferable)

LIMITED WARRANTY

Warranty Exclusions, Limitations and Rights:

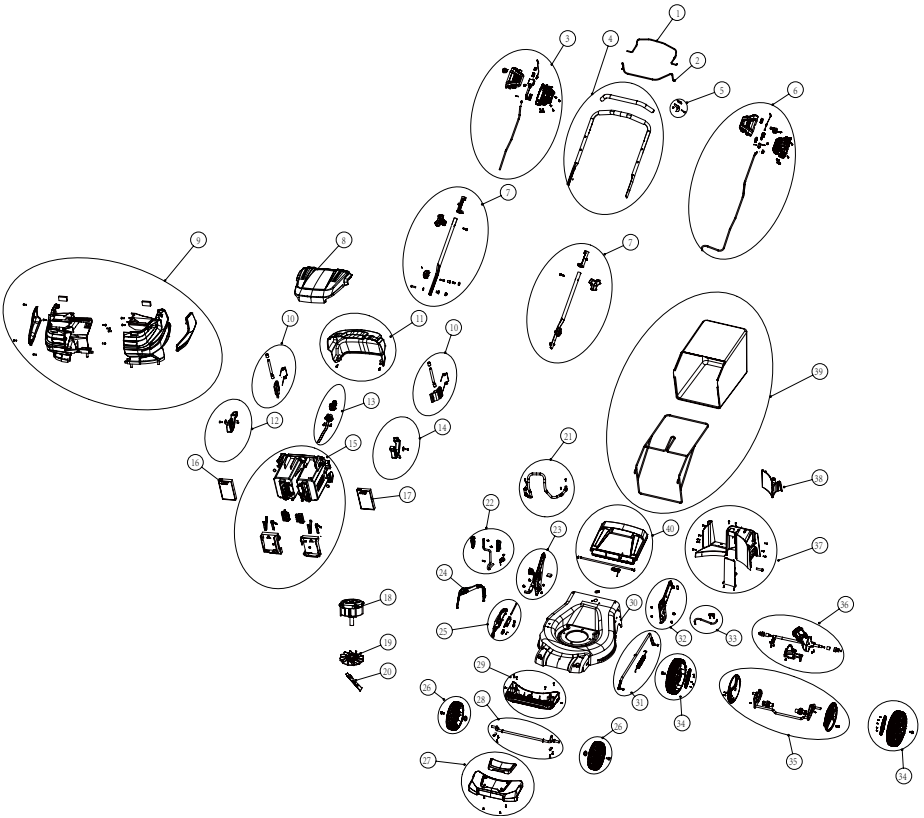
1. All warranties may not be transferred by the consumer to any subsequent purchaser.
2. Parts or components not supplied by the warrantor, or parts or components that have been modified.
3. Any failure resulting from the use of improper tools or improper repair procedures.
4. Any failure or part that has become inoperative due to accident, impact, abuse, misuse, neglect, mishandling, dulling of cutting edges, or failure to operate the product in accordance with the information provided in the instruction manual supplied with the product.
5. Normal deterioration of the exterior due to use or exposure, and any repairs made necessary by normal wear, improper maintenance, improper lubrication, improper storage, dirt, abrasives, impact, moisture, water, rain, snow, rust, corrosion, varnish, or other similar conditions.
6. Routine maintenance items such as lubricants, blade sharpening.
7. The unit, if it has not been operated and/or maintained in accordance with the owner's manual.
8. Improper voltage for electric products and batteries that have been exposed to temperatures beyond those specified in the product's instruction manual, batteries that have not been properly charged or batteries that have reached their useful life.

Warranty, Technical or Parts & Service is available by calling our toll-free helpline @ **1 855 470-4267** or visit our website **WWW.GREENWORKSTOOLS.COM/82V-COMMERCIAL/**

TRANSPORTATION CHARGES:

Transportation charges for the movement of any power equipment unit or attachment are the responsibility of the purchaser. It is the purchaser's responsibility to pay transportation charges for any part submitted for replacement under this warranty unless such return is requested in writing by GREENWORKS™.

EXPLODED VIEW



PARTS LIST

| NO. | PART NO. | QTY | DESCRIPTION |
|------------|-----------------|------------|---------------------------------------|
| 1 | RB332031531 | 1 | KIT, LOWER LEVER |
| 2 | RB333061179A | 1 | KIT, BAIL LEVER |
| 3 | RB311043428 | 1 | KIT, SWITCH BOX ASSEMBLY |
| 4 | RB333192376A | 1 | KIT, UPPER HANDLE ASSEMBLY |
| 5 | RB333051530 | 1 | KIT, LIMIT PIECE ASSEMBLY |
| 6 | RB 311053428 | 1 | KIT, SWITCH BOX ASSEMBLY |
| 7 | RB311051556 | 2 | KIT, UPPER HANDLE |
| 8 | RB341202375A | 1 | KIT, UPPER COVER ASSEMBLY |
| 9 | RB341252375C | 1 | KIT, RIGHT COVER ASSEMBLY |
| 10 | RB34110811 | 2 | KIT, BATTERY RELEASE BUTTON |
| 11 | RB341212375A | 1 | KIT, TRANSPARENT COVER |
| 12 | RB 341282375A | 1 | KIT, RIGHT SWING ARM |
| 13 | RB 341472376 | 1 | KIT, KEY ASSEMBLY |
| 14 | RB341272375A | 1 | KIT, LEFT SWING ARM |
| 15 | RB341222375 | 1 | KIT, BATTERY COMPARTMENT |
| 16 | RB361012322DL | 1 | KIT, BRUSHLESS CONTROL BOARD ASSEMBLY |
| 17 | RB362011554DL | 1 | KIT, BRUSHLESS CONTROL BOARD ASSEMBLY |
| 18 | RB 361403428 | 1 | KIT, MOTOR |
| 19 | RB 341191179B | 1 | KIT, FAN |
| 20 | RB333041179 | 1 | KIT, BLADE |

PARTS LIST

| NO. | PART NO. | QTY | DESCRIPTION |
|------------|-----------------|------------|--|
| 21 | RB 333062375A | 1 | KIT, PROTECTIVE BRACKET |
| 22 | RB311301560C | 1 | KIT, HEIGHT ADJUSTMENT LEVER ASSEMBLY |
| 23 | RB 312011560C | 1 | KIT, MECHANICAL VERTICAL SWITCH ASSEMBLY |
| 24 | RB341241179C | 1 | KIT, SIDE DISCHARGE CHUTE |
| 25 | RB311081179A | 1 | KIT, SIDE DISCHARGE COVER ASSEMBLY |
| 26 | RB341281179A | 2 | KIT, 8" WHEEL ASSEMBLY |
| 27 | RB311041556 | 1 | KIT, BUMPER ASSEMBLY |
| 28 | RB311021179A | 1 | KIT, FRONT WHEEL AXLE ASSEMBLY |
| 29 | RB341021179B | 1 | KIT, FRONT PANEL ASSEMBLY |
| 30 | RB332041531C | 1 | KIT, DECK |
| 31 | RB332081531D | 1 | KIT, HEIGHT ADJUSTMENT LINK BAR ASSEMBLY |
| 32 | RB333041519A | 1 | KIT, HEIGHT ADJUSTMENT BRACKET ASSEMBLY (LEFT) |
| 33 | RB364021554A | 1 | KIT, SELF-PROPELLED MOTOR CABLE |
| 34 | RB341031531A | 2 | KIT, 10" WHEEL ASSEMBLY |
| 35 | RB332061531C | 1 | KIT, REAR WHEEL AXLE ASSEMBLY |
| 36 | RB311132322 | 1 | KIT, REDUCER |
| 37 | RB3410202322 | 1 | KIT, REAR BAFFLE ASSEMBLY |
| 38 | RB341091531 | 1 | KIT, MULCHING PLUG |
| 39 | RB312021556 | 1 | KIT, GRASS CATCHER BAG ASSEMBLY |
| 40 | RB341251179A | 1 | KIT, REAR COVER ASSEMBLY |

GREENWORKS

COMMERCIAL

**Greenworks Tools
PO Box 1238
Mooresville, NC 28115**

TOLL-FREE HELPLINE: 1 (855) 470-4267

Rev: 00 (12-18-17)